

CRAFTMADE

READ THESE INSTRUCTIONS AND
SAVE THEM FOR FUTURE USE



Bellows IV

Installation Guide

For Models:

BW414SS3

BW414AG3

Table of Contents:

Safety Tips. pg. 1

Unpacking Your Fan. pg. 2

Parts Inventory. pg. 2

Installation Preparation. pg. 3

Fan Assembly. pgs. 3 - 4

Wiring. pg. 4

Fan Installation. pg. 5

Wall Control Wiring. pg. 5

Wall Control Operation. pg. 6

Testing Your Fan. pg. 6

Troubleshooting. pg. 7

Parts Replacement. pg. 7

Warranty. pg. 7



Intertek

3170356

APPROVED FOR USE
IN DAMP LOCATIONS

net weight of fan: 14.52 lb (6.6 kg)

PRINTED IN CHINA

SAFETY TIPS.

WARNING: To reduce the risk of electrical shock, turn off the electricity to the fan at the main fuse box or circuit panel before you begin the fan installation or before servicing the fan or installing accessories.

1. **READ ALL INSTRUCTIONS AND SAFETY INFORMATION CAREFULLY BEFORE INSTALLING YOUR FAN AND SAVE THESE INSTRUCTIONS.**

CAUTION: To avoid personal injury, the use of gloves may be necessary while handling fan parts with sharp edges.

CAUTION: To reduce the risk of personal injury, mount the fan base to a stud, wood post or beam using the hardware provided with your fan.

2. Make sure all electrical connections comply with Local Codes or Ordinances, the National Electrical Code, and ANSI/NFPA 70-1999. If you are unfamiliar with electrical wiring, please use a qualified electrician.
3. Make sure you have a location selected for your fan that allows clear space for the fan to rotate and at least seven (7) feet (2.13 meters)* of clearance between the floor and the fan.
*Please note that in Canada, it must be 8.3 feet (2.53 meters) of clearance.

WARNING: The support joist on which the fan will be installed must be securely mounted and capable of supporting at least 35 pounds (16 kilograms). The support joist must be supported directly by the building structure.

WARNING: Support Fan Directly from Building Structure. To avoid personal injury, damage to fan and possible electrical shock and/or fire, do NOT install fan directly to Sheetrock™ (drywall); fan must first be secured to appropriate size stud or wood beam underneath.

4. There must be four house wires for proper installation and operation of the fan. If a fourth wire is not present, please obtain the services of a qualified electrician to have the wire installed.
5. After installation is complete, check that all connections are absolutely secure.
6. Do not insert anything between the fan blades while they are rotating.

WARNING: To reduce the risk of personal injury or electrical shock, the fan should be installed where it will be out of reach of children. The fan is **NOT** a toy--**DO NOT** play with the fan or allow anyone else to play with the fan.

WARNING: To reduce the risk of personal injury, do not bend the blade arms. Do not insert objects into the path of the blades.

WARNING: To avoid personal injury or damage to the fan and other items, be cautious when working around or cleaning the fan.

7. Do not use water or detergents when cleaning the fan or fan blades. A dry dust cloth or lightly dampened cloth will be suitable for most cleaning.

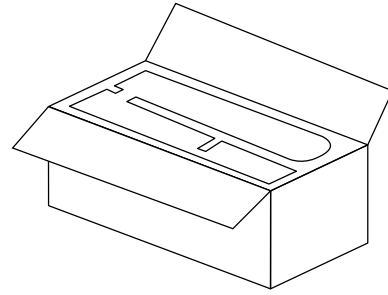
WARNING: To reduce the risk of personal injury, use **only** parts provided with this fan. **The use of parts OTHER than those provided with this fan will void the warranty.**

NOTE: The important safety precautions and instructions appearing in the manual are not meant to cover all possible conditions and situations that may occur. It must be understood that common sense and caution are necessary factors in the installation and operation of this fan.

1. Unpacking Your Fan.

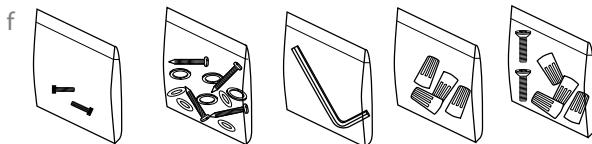
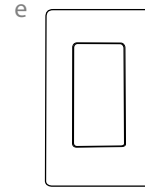
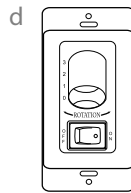
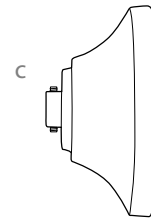
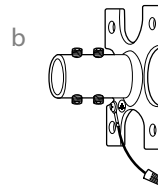
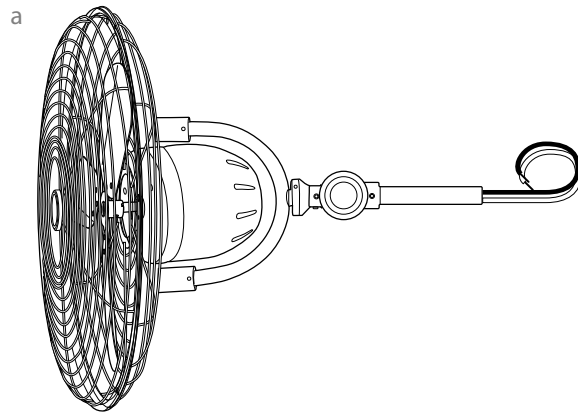
Carefully open the packaging. Remove items from Styrofoam inserts. Remove fan assembly and place on carpet or Styrofoam to avoid damage to finish. Do not discard fan carton or Styrofoam inserts should this fan need to be returned for repairs.

Check against parts inventory that all parts have been included.



2. Parts Inventory.

- a. fan assembly. 1 piece
- b. wall bracket. 1 piece
- c. canopy. 1 piece
- d. wall control. 1 piece
- e. plate. 1 piece
- f. hardware packs



w/ wall control

⚠ IMPORTANT REMINDER: You must use the parts provided with this fan for proper installation and safety. **⚠**

3. Installation Preparation.

Determine the approximate position where you want the fan to be located on the wall. **Note:** To prevent personal injury and damage, this fan must be mounted at least 7 feet (2.13m) from the floor.

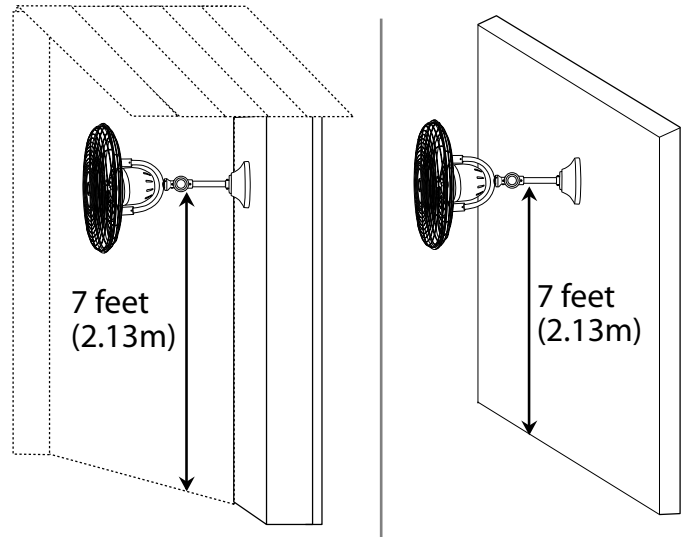
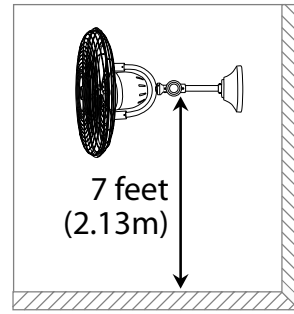
*This fan can only be mounted on an **INDOOR wall** or on an **ENCLOSED porch** or **ENCLOSED patio wall**.*

NOTE: Ensure there is an electrical source near the approximate location, such as an outlet box or an electrical outlet.

CAUTION: If you are going to attach the fan to a wood stud or wood post, the stud or wood post must be wide enough and thick enough to sustain the wall bracket and the weight of the fan.

Installation requires these tools:

Phillips screwdriver, flathead screwdriver, adjustable pliers or wrench and stepladder



**ENCLOSED porch or
ENCLOSED patio
wall installation**

**INDOOR
wall installation**

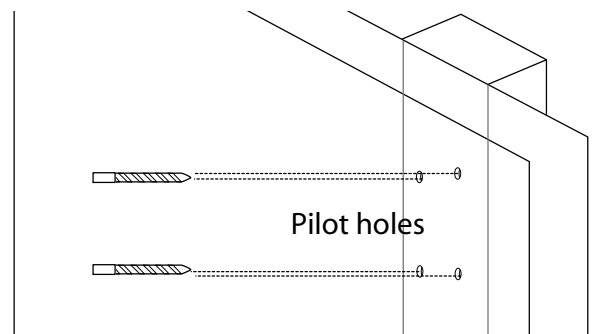
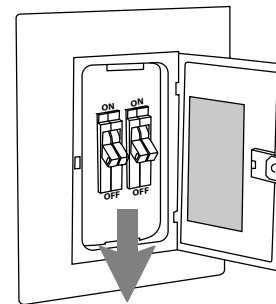
4. Fan Assembly.

Turn off circuit breakers to current fixture from breaker panel and be sure operating light switch is turned to the OFF position.

WARNING: Failure to disconnect power supply prior to installation may result in serious injury.

You **MUST** use **ALL FOUR** holes in wall bracket when installing wall bracket. Position the wall bracket on desired spot and mark 4 hole locations.

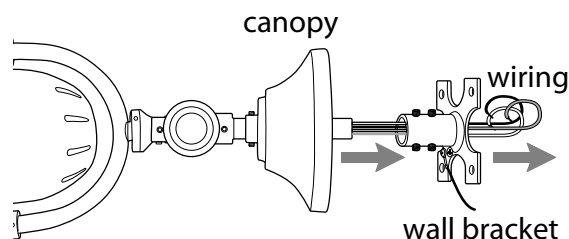
Drill 4 **pilot holes** over hole locations marked onto mounting surface.



4. Fan Assembly. (cont.)

Thread electrical wires through the canopy. Pull extra wire slack completely through the canopy.

Next, thread electrical wires through the wall bracket. Pull extra wire slack completely through the wall bracket.



5. Wiring.

Make sure all electrical connections comply with Local Codes or Ordinances and the National Electrical Code (or the Canadian Electric Code). If you are unfamiliar with electrical wiring or if the house/building wires are different colors than those referred to below, please use a qualified electrician.

NOTE: There must be four house wires for proper installation and operation of the fan. If a fourth wire is not present, please obtain the services of a qualified electrician to have the wire installed.

Connect **BLACK** wire from fan assembly to **BLACK** wire from wall with wire connector provided.

Connect **WHITE** wire from fan assembly to **WHITE** wire from wall with wire connector provided.

Connect **BLUE** wire from fan assembly to **RED** wire from wall with wire connector provided.

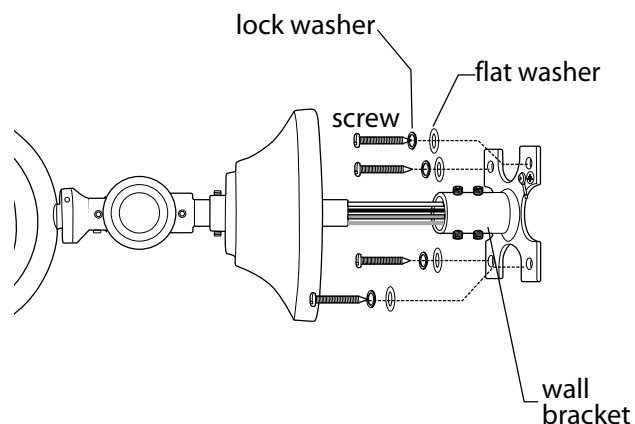
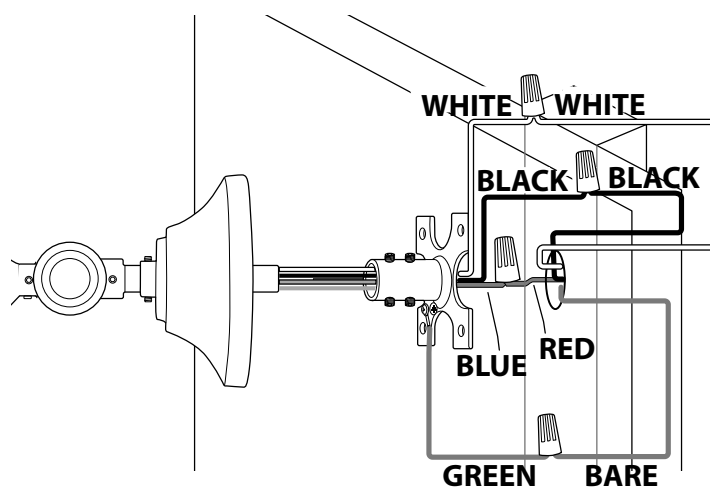
Connect **GROUND (GREEN)** wire from wall bracket to **BARE/GREEN** wire from wall with wire connector provided.

Gently push wires and taped wire connectors into outlet box.

Position wall bracket over pilot holes and insert a lock washer, a flat washer and a screw (provided in hardware pack) into each hole. Tighten all screws securely with a Phillips screwdriver.

WARNING: It is very important you use the proper hardware when installing the wall bracket as this will support the fan.

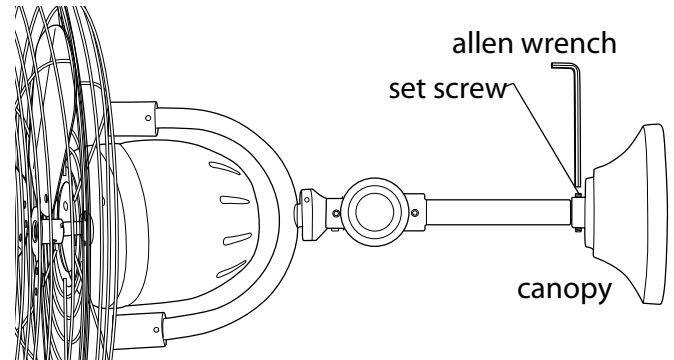
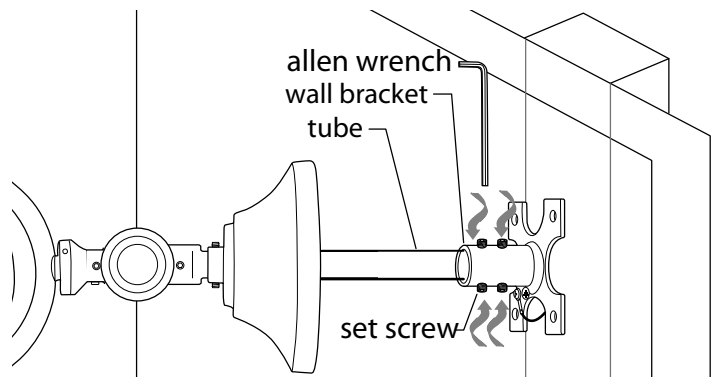
WARNING: Be extremely careful not to touch wires with screws when inserting the screws.



6. Fan Installation.

Secure fan to wall bracket by inserting the tube into the wall bracket, then tighten the four set screws on the wall bracket with the Allen wrench provided in one of the hardware packs.

Slide canopy to wall bracket and tighten set screws on canopy with the Allen wrench provided in one of the hardware packs.



7. Wall Control Wiring.

IN ORDER TO WIRE WALL CONTROL, remove existing wall switch. Wire the **WALL CONTROL** with wire connectors provided as shown in *diagram at right*.

* Wrap each wire connector separately with electrical tape as an extra safety measure. Gently push wires and taped wire connectors into outlet box.

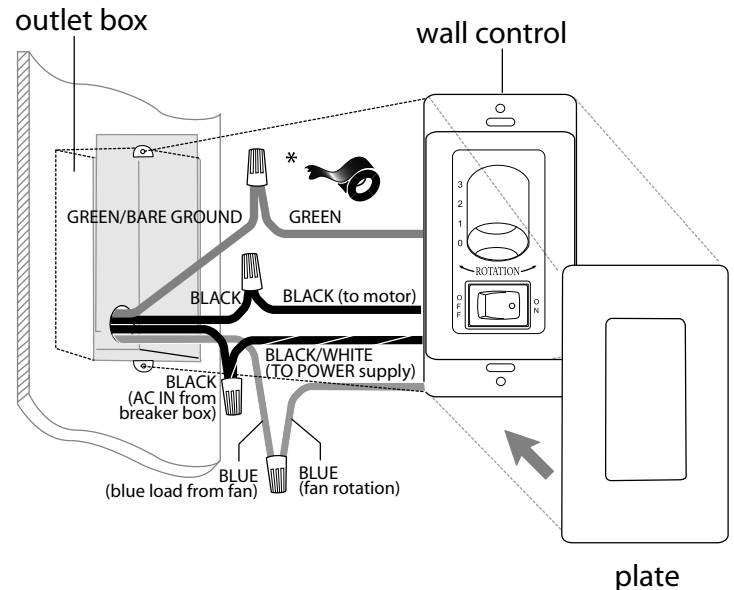
WARNING: CONNECT WIRES IN THE FOLLOWING ORDER:

Connect **GREEN** ground wire to ground from house or directly to one of the screws from the outlet box.

Connect **BLACK/WHITE** wire from wall control to **BLACK** (hot) lead wire from house.

Connect **BLACK** wire from wall control to **BLACK** load wire to fan.

Attach wall control to electrical outlet/box and secure with screws from original wall switch. Attach front plate to wall control using 2 screws provided in the wall control.



Modifications not approved by the party responsible for compliance could void the user's authority to operate the equipment.

*NOTE: This equipment has been tested and found to comply with the limits for a Class B digital device, pursuant to Part 15 of the FCC Rules. These limits are designed to provide reasonable protection against harmful interference in a residential installation. This equipment generates, uses and can radiate radio frequency energy and, if not installed and used in accordance with the instructions, may cause harmful interference to radio communications. However, there is no guarantee that interference will not occur in a particular installation. If this equipment does cause harmful interference to radio or television reception, which can be determined by turning the equipment off and on, the user is encouraged to try to correct the interference by one or more of the following measures:

- * Reorient or relocate the receiving antenna.
- * Increase the separation between the equipment and receiver.
- * Connect the equipment into an outlet on a circuit different from that to which the receiver is connected.

Consult the dealer or an experienced radio/TV technician for help.

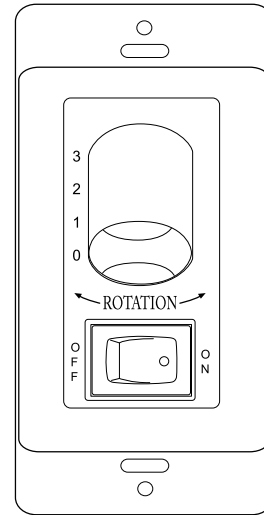
8. Wall Control Operation.

- 0** - turns fan OFF
- 1** - turns fan to HIGH speed
- 2** - turns fan to MEDIUM speed
- 3** - turns fan to LOW speed
- ON** - turns *oscillation* ON
- OFF** - turns *oscillation* OFF

9. Testing Your Fan.

It is recommended that you test fan before finalizing installation. Restore power from circuit box. Test fan speeds with wall control. Start at the OFF ("0") position (no blade movement) and try each of the 3 different fan speeds. Test oscillation function with the ON/OFF button.

If fan does not function properly, please refer to "Troubleshooting" section to solve any issues before contacting Customer Service.



Troubleshooting.

WARNING: Failure to disconnect power supply prior to troubleshooting any wiring issues may result in serious injury.

Problem: Fan fails to operate.

Solutions:

1. Check power to wall switch.
2. Check to be sure wall control is wired properly.
3. Verify that dial on wall control is set on High (1), Medium (2), or Low (3) speed.
4. Verify connections from the fan to the wall are connected properly.

Problem: Fan fails to oscillate.

Solutions:

1. Check power to wall switch.
2. Verify that button on wall control is set to the ON position.

Problem: Fan wobbles.

Solutions:

1. Check that wall bracket is secure.
2. Check to be sure that fan is securely mounted on wall bracket.

Parts Replacement.

For parts and information, please refer to "Parts Inventory" on page 2.

Craftmade Customer Support:

1-800-486-4892

www.craftmade.com

Warranty.

CRAFTMADE LIFETIME WARRANTY:

CRAFTMADE warrants this fan to the original household purchaser for indoor use under the following provisions:
1-YEAR WARRANTY: CRAFTMADE will replace or repair any fan which has faulty performance due to a defect in material or workmanship. Contact Craftmade Customer Service at **1-800-486-4892** to arrange for return of fan. Return fan, shipping prepaid, to Craftmade. We will repair or ship you a replacement fan, and we will pay the return shipping cost.

5-YEAR WARRANTY: CRAFTMADE will repair or replace, at no charge to the original purchaser, any fan motor that fails to operate satisfactorily when failure results from normal use.

RETURN FAN MOTOR ONLY, shipping prepaid, to Craftmade Industries. We will repair or ship purchaser a replacement motor and Craftmade will pay the return shipping cost.

6-YEAR to LIFETIME LIMITED WARRANTY: CRAFTMADE will repair the fan, at no charge for labor only to the original purchaser, if the fan motor fails to operate satisfactorily when failure results from normal use. Parts used in the repair will be billed to the purchaser at prevailing prices at time of repair.

The purchaser shall be responsible for all costs incurred in the removal, reinstallation and shipping of the product for repairs.

This warranty does not apply when damage from mechanical, physical, electrical or water abuse results in causing the malfunction. Deterioration of finishes or other parts due to time or exposure to salt air is specifically exempted under this warranty.

Neither Craftmade nor the manufacturer will assume any liability resulting from improper installation or use of this product. In no case shall the company be liable for any consequential damages for breach of this, or any other warranty expressed or implied whatsoever. This limitation as to consequential damages shall not apply in states where prohibited.

CRAFTMADE

CRAFTMADE

LEER ESTAS INSTRUCCIONES Y
GUARDARLAS PARA UTILIZACION FUTURA



Bellows IV

Guía de instalación

Para modelos:

BW414SS3

BW414AG3

Índice de materias:

Sugerencias de seguridad. Pág. 1

Desempaquetado del ventilador. Pág. 2

Inventario de piezas. Pág. 2

Preparación para la instalación. Pág. 3

Ensamblaje del ventilador. Págs. 3 - 4

Instalación eléctrica. Pág. 4

Instalación del ventilador. Pág. 5

Alambrado del control de pared. Pág. 5

Operación del control de pared. Pág. 6

Verificación del funcionamiento del
ventilador. Pág. 6

Localización de fallas. Pág. 7

Piezas de repuesto. Pág. 7

Garantía. Pág. 7



Intertek
3170356

APROBADO PARA USO
EN LUGARES HÚMEDOS

peso neto del ventilador: 6,6 kg (14,52 lb)

IMPRESO EN CHINA

SUGERENCIAS DE SEGURIDAD.

ADVERTENCIA: Para evitar la posibilidad de una descarga eléctrica, desconectar la corriente en la caja de fusibles principal o el interruptor protector antes de iniciar la instalación del ventilador o antes de repararlo o instalar accesorios.

1. **LEER TODAS LAS INSTRUCCIONES E INFORMACION DE SEGURIDAD CUIDADOSAMENTE ANTES DE INSTALAR SU VENTILADOR Y GUARDAR ESTAS INSTRUCCIONES.**

PRECAUCION: Para reducir el riesgo de daño corporal, es posible que sea necesario usar guantes al manejar las piezas del ventilador que tengan bordes afilados.

PRECAUCION: Para reducir el riesgo de daño corporal, sentar la base del ventilador en el entramado, en un poste de madera, o una viga usando los artículos de ferretería provistas con este ventilador.

2. Asegurarse de que todas las conexiones eléctricas cumplan con los Códigos o las Ordenanzas Locales, el Código Nacional Eléctrico y ANSI/NFPA 70-1999. Si usted no está familiarizado con el alambrado eléctrico favor de buscar un electricista calificado.
3. Asegurarse de que haya localizado una ubicación para su ventilador que permite el espacio necesario para la rotación del ventilador y por lo menos 2,13 metros (7 pies)* de espacio libre entre el piso y el ventilador. [*Favor de notar que en el Canadá, la distancia libre sobre el piso debe ser de 2,53 metros (8,3 pies).]

ADVERTENCIA: La viga de soporte sobre la que se va a instalar el ventilador debe estar montada de forma segura y debe ser capaz de sostener al menos 16 kilogramos (35 libras). La viga de soporte debe estar apoyada directamente en la estructura del edificio.

ADVERTENCIA: Apoyar el Ventilador Directamente en la Estructura del Edificio. Para reducir el riesgo de daño corporal, algún daño al ventilador y la posibilidad de riesgo de incendio y/o una descarga eléctrica, NO instalar el ventilador directamente en el Sheetrock™ o "drywall" (cartón piedra o tablaroca); primeramente el ventilador tiene que estar bien sujeto al tamaño correspondiente de entramado o madera que se encuentre debajo de ello.

4. Es necesario tener cuatro cables de la casa para que se instale correctamente el ventilador y para que funcione adecuadamente. Si hace falta el cuarto cable, favor de contratar a un electricista profesional para instalarle el cable.
5. Después de haber terminado la instalación, asegurarse de que todas las conexiones estén totalmente seguras.
6. No insertar ningún objeto entre las aspas mientras estén rotando.

ADVERTENCIA: Para reducir el riesgo de daño corporal o descarga eléctrica, se debe instalar el ventilador lejos del alcance de los niños. El ventilador **NO** es juguete--**NO** jugar con el ventilador ni permitir que nadie juegue con él.

ADVERTENCIA: Para reducir el riesgo de daño corporal, no doblar los brazos de las aspas durante el ensamblaje ni durante la instalación. No insertar objetos entre las aspas mientras estén rotando.

ADVERTENCIA: Para reducir el riesgo de daño corporal o algún daño al ventilador, tener cuidado al estar trabajando alrededor del ventilador o limpiándolo.

7. No utilizar agua ni detergentes para limpiar el ventilador ni las aspas. Usar un trapo seco o ligeramente húmedo para su limpieza general.

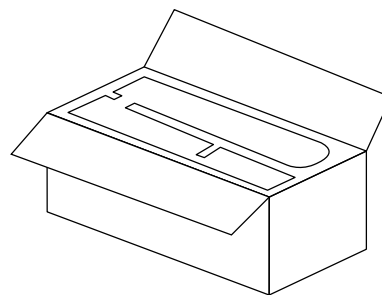
ADVERTENCIA: Para reducir el riesgo de daño corporal, usar **sólo** las piezas provistas con este ventilador. **Al usar piezas DISTINTAS a las provistas con este ventilador se invalidará la garantía.**

NOTA: No se debe concluir que las precauciones de seguridad importantes e instrucciones en este manual van a abarcar todas las condiciones y situaciones posibles que puedan ocurrir. Se debe entender que el sentido común y la precaución son factores necesarios en la instalación y la operación de este ventilador.

1. Desempaquetado del ventilador.

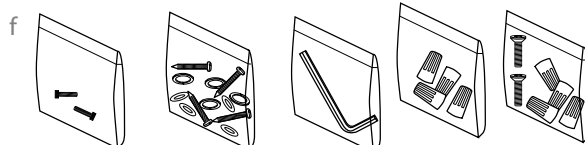
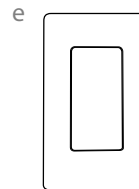
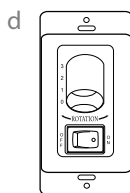
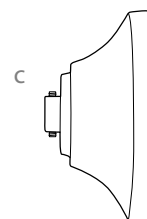
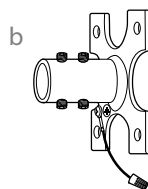
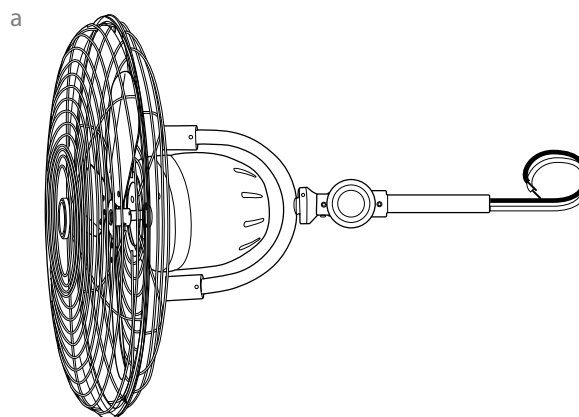
Abrir el empaque cuidadosamente. Sacar los artículos del embalaje. Sacar la unidad del ventilador y ponerlo en una alfombra o en el embalaje para evitar rayar el acabado. Guardar la caja de cartón o el empaquetamiento original en caso de que tenga que mandar el ventilador para alguna reparación.

Comprobar las piezas del ventilador con el inventario de piezas y verificar que se incluyeron todas.



2. Inventario de piezas.

- a. unidad del ventilador. 1 unidad
- b. abrazadera de pared. 1 unidad
- c. cubierta decorativa. 1 unidad
- d. control de pared. 1 unidad
- e. placa. 1 unidad
- f. paquetes de artículos de ferretería



con el control de pared

⚠ RECORDATORIO IMPORTANTE:
Se tienen que utilizar las piezas provistas con este ventilador para una instalación adecuada y su seguridad. **⚠**

3. Preparación para la instalación.

Determinar la posición aproximada de dónde va a querer ubicar el ventilador en la pared.

Nota: Para prevenir daño corporal y otros daños, este ventilador se debe instalar por lo menos a 2,13 m (7 pies) arriba del nivel del piso.

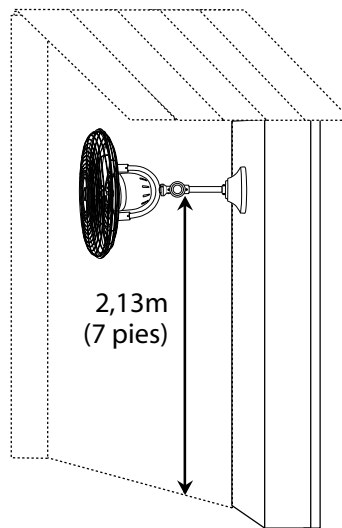
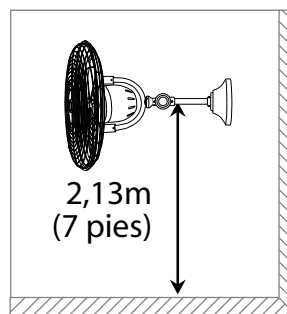
Se puede colgar este ventilador solamente en la **pared INTERIOR** de una **vivienda** o en un **patio o pórtico CERRADO**.

NOTA: Asegurar que haya una fuente de electricidad cerca de la posición aproximada, como una caja de salida existente o una toma de corriente.

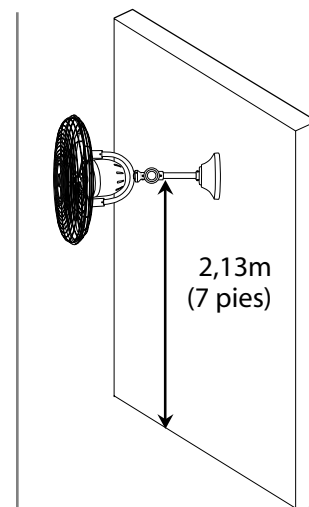
PRECAUCION: Si va a sujetar el ventilador a un entramado o un poste de madera, el entramado o el poste de madera debe ser lo suficiente ancho y grueso como para sostener la abrazadera de pared y el peso del ventilador.

Se necesitan las herramientas siguientes para la instalación:

Destornillador de estrella Phillips, destornillador de paleta (plano), alicates ajustables o llave de tuercas y escalera de tijera



instalación en pared de patio CERRADO o pórtico CERRADO



instalación en pared DENTRO DE la casa (o un edificio)

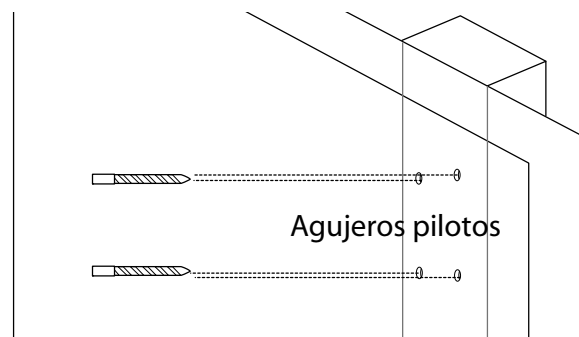
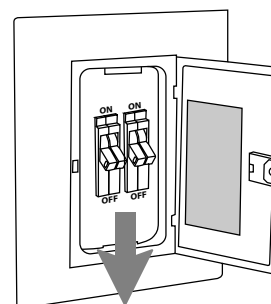
4. Ensamblaje del ventilador.

Apagar los cortacircuitos en el panel de electricidad que suplen corriente a la caja de salida y asegurarse de que el interruptor de luz esté APAGADO.

ADVERTENCIA: El no desconectar el suministro de fuerza antes de la instalación puede tener por resultado lesiones graves.

DEBE usar **LOS CUATRO** agujeros en la abrazadera de pared al momento de instalarla. Colocar la abrazadera de pared en el lugar deseado y marcar las posiciones de los 4 agujeros.

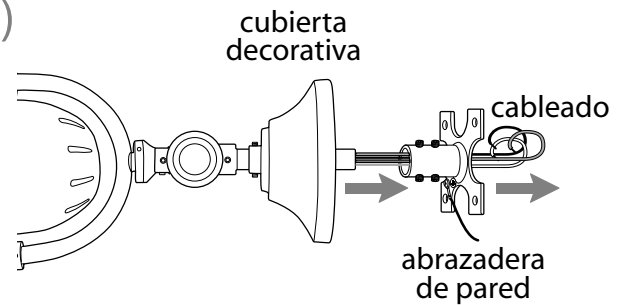
Taladrar 4 **agujeros pilotos** en las posiciones que se marcaron en la superficie de montaje.



4. Ensamblaje del ventilador. (cont.)

Pasar los cables por la cubierta decorativa. Jalar completamente el cableado en exceso a través de la cubierta decorativa.

Luego, pasar los cables por la abrazadera de pared. Jalar completamente el cableado en exceso a través de la abrazadera de pared.



5. Instalación eléctrica.

Asegurarse de que todas las conexiones eléctricas cumplan con los Códigos o las Ordenanzas Locales y el Código Nacional Eléctrico (o el Código eléctrico del Canadá). Si usted no está familiarizado con el alambrado eléctrico o los cables de la casa/edificio son de colores diferentes a los cuales se refieren a continuación, favor de buscar un electricista calificado.

NOTA: Es necesario tener cuatro cables de la casa para que se instale correctamente el ventilador y para que funcione adecuadamente. Si hace falta el cuarto cable, favor de contratar a un electricista profesional para instalarle el cable.

Conectar el cable **NEGRO** de la unidad del ventilador al cable **NEGRO** de la pared con un conector para cable provisto.

Conectar el cable **BLANCO** de la unidad del ventilador al cable **BLANCO** de la pared con un conector para cable provisto.

Conectar el cable **AZUL** de la unidad del ventilador al cable **ROJO** de la pared con un conector para cable provisto.

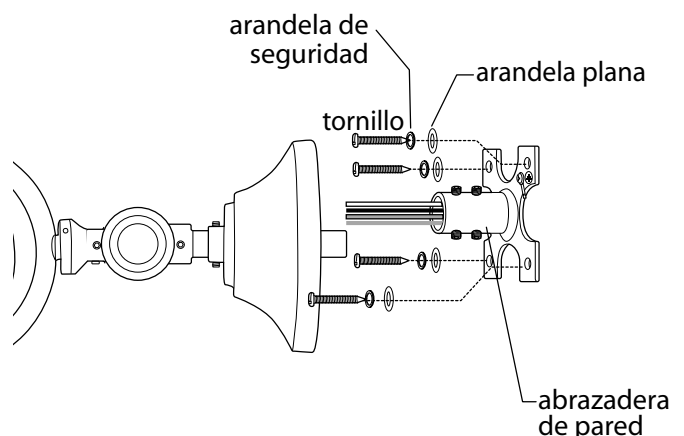
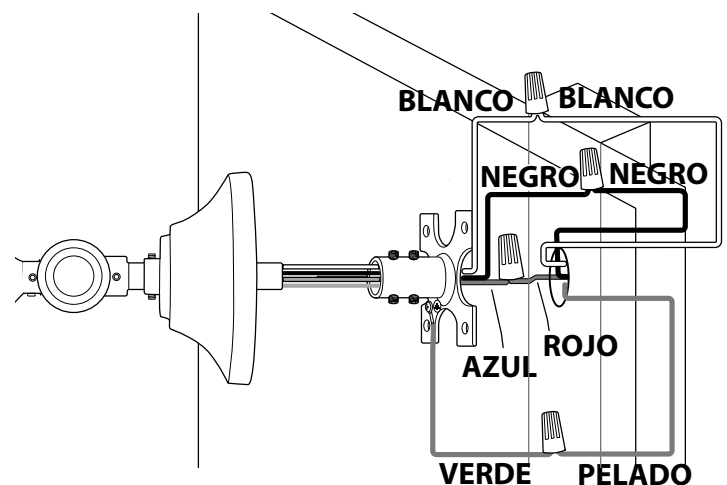
Conectar el **CONDUCTOR A TIERRA (VERDE)** de la abrazadera de pared al **PELADO/VERDE** de la pared con un conector para cable provisto.

Delicadamente meter los cables y los conectores para cable que tienen cinta dentro de la caja de salida.

Colocar la abrazadera de pared encima de los agujeros pilotos e introducir una arandela de seguridad, una arandela plana y un tornillo de madera (proporcionados en uno de los paquetes de artículos de ferretería) en cada agujero. Apretar todos los tornillos con un destornillador de estrella Phillips.

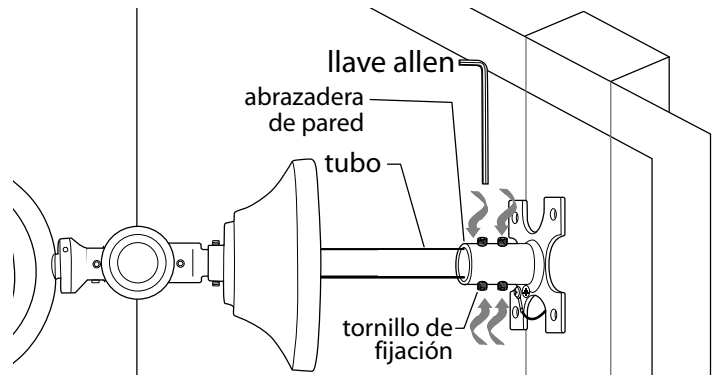
ADVERTENCIA: Es muy importante usar los artículos de ferretería correctos al instalar la abrazadera de pared ya que ésta servirá para sostener el ventilador.

ADVERTENCIA: Tener muchísimo cuidado de no tocar los cables con los tornillos al estarlos introduciendo.

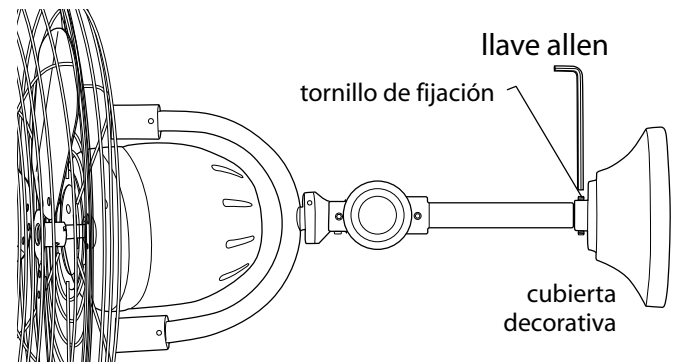


6. Instalación del ventilador.

Sujetar el ventilador a la abrazadera de pared introduciendo el tubo en la abrazadera de pared, luego apretar bien los cuatro tornillos de fijación en la abrazadera de pared con la llave Allen localizada en uno de los paquetes de artículos de ferretería.



Deslizar la cubierta decorativa hacia la abrazadera de pared y apretar bien los tornillos de fijación en la cubierta decorativa con la llave Allen localizada en uno de los paquetes de artículos de ferretería.



7. Alambrado del control de pared.

PARA HACER LA INSTALACION ELECTRICA DEL CONTROL DE PARED, quitar el interruptor de pared existente. Alambrar el **CONTROL DE PARED** con los conectores para cable provistos así como se muestra en el *diagrama al lado*.

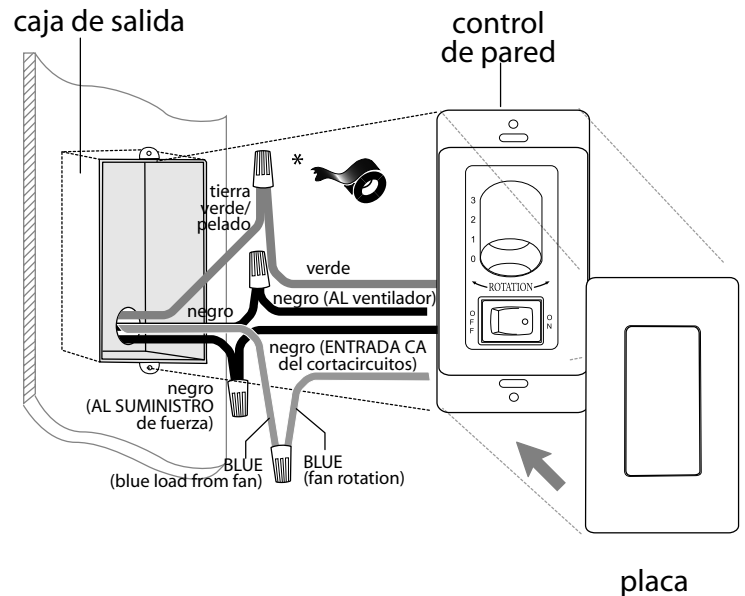
* Como una medida de seguridad adicional, envolver cada conector para cable con cinta aisladora. Delicadamente meter los conectores para cable dentro de la caja de salida.

ADVERTENCIA: CONECTAR LOS CABLES SOLAMENTE EN EL ORDEN QUE SIGUE!

Conectar el conductor a tierra **VERDE** al conductor a tierra de la casa o directamente a uno de los tornillos de la caja de salida.

Conectar un cable **BLANCO/NEGRO** del control de pared al cable principal **NEGRO** (caliente) de la casa. Conectar el cable **NEGRO** del control de pared al cable de carga **NEGRO** del ventilador.

Sujetar el control de pared a la caja de salida y asegurarlo con los tornillos del interruptor de pared original. Sujetar la placa delantera al control de pared usando los 2 tornillos provistos con el control de pared.



Las modificaciones no aprobadas por la parte responsable de la conformidad podrían invalidar la autorización del usuario para manejar el equipo.

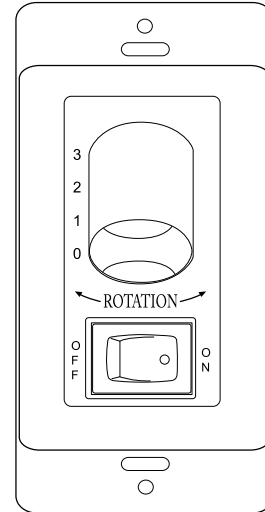
*NOTA: Se han hecho pruebas en este equipo y se ha comprobado que cumple con los límites para un aparato digital de clase B, de acuerdo con la Parte 15 de las Reglas de la FCC. Se concibieron estos límites para proveer protección razonable contra la interferencia adversa en una instalación residencial. Este equipo produce, usa y puede radiar energía de radiofrecuencia y, si no se instala y no se usa según las instrucciones, puede causar interferencia adversa en la radiocomunicación. Sin embargo, no hay ninguna garantía de que no habrá interferencia en una instalación en particular. Si este equipo sí causa interferencia adversa en la recepción de radio o televisión, que se puede determinar apagando y prendiendo el equipo, se le urge al usuario a intentar rectificar la interferencia tomando una o más de las medidas que siguen:

- * Orientar la antena de nuevo o localizarla en otro sitio.
- * Aumentar la separación entre el equipo y el receptor.
- * Conectar el equipo a un tomacorriente en un circuito distinto al cual está conectado el receptor.

Solicitar ayuda del distribuidor o un técnico de radio/televisión.

8. Operación del control de pared.

- 0** - APAGA el ventilador
- 1** - pone el ventilador en velocidad ALTA
- 2** - pone el ventilador en velocidad MEDIA
- 3** - pone el ventilador en velocidad BAJA
- ON** - ENCIENDE la función de oscilación
- OFF** - APAGA la función de oscilación



9. Verificación del funcionamiento del ventilador.

Se le recomienda poner el ventilador a prueba antes de terminar la instalación. Regresar la corriente de electricidad en el cortacircuitos y el interruptor de la luz en la pared (si aplica). Verificar las velocidades del ventilador con el control de pared. Empezar en estado de apagado, "0," (sin movimiento de las aspas) y experimentar con las 3 diferentes velocidades del ventilador. Poner a prueba la función de oscilación con el botón ON/OFF (ENCENDIDO/APAGADO).

Si el ventilador no funciona bien, favor de referirse a la sección "Localización de fallas" para resolver cualquier asunto antes de comunicarse con el Servicio al Cliente.

Localización de fallas.

ADVERTENCIA: *El no desconectar el suministro de fuerza eléctrica antes de hacer localización de fallas para cualquier problema de instalación eléctrica puede causar lesiones graves.*

Problema: El ventilador no funciona.

Soluciones:

1. Inspeccionar el interruptor de pared del ventilador.
2. Verificar la instalación eléctrica del control de pared.
3. Verificar que el dial en el control de pared está puesto en velocidad Alta (1), Media (2), o Baja (3).
4. Verificar la instalación eléctrica del conector de 9 cables.

Problema: El ventilador no oscila.

Soluciones:

1. Inspeccionar el interruptor de pared del ventilador.
2. Verificar que el botón en el control de pared está puesto en posición de ENCENDIDO.

Problema: El ventilador se tambalea.

Soluciones:

1. Verificar que la abrazadera de pared está sujeta bien.
2. Verificar que el ventilador está sujeta bien en la barra de la abrazadera del ventilador.

Piezas de repuesto.

Para piezas o información, referirse al "Inventario de piezas" en la página 2. Servicio al cliente de Craftmade:
1-800-486-4892
www.craftmade.com

Garantía.

GARANTIA LIMITADA DE POR VIDA DE CRAFTMADE:

CRAFTMADE garantiza este ventilador al comprador original de grupo familiar para uso interior con las siguientes condiciones:

GARANTIA DE 1 AÑO: CRAFTMADE reemplazará o reparará cualquier ventilador que tenga funcionamiento deficiente debido a defectos en los materiales o trabajo manual.

Comunicarse con el Servicio al cliente de CRAFTMADE al **1-800-486-4892** para acordar el reenvío del ventilador.

Devolver el ventilador, con los gastos de envío prepagados, a Craftmade. Nosotros repararemos o reemplazaremos el ventilador y pagaremos los gastos de envío de regreso.

GARANTIA DE 5 AÑOS: CRAFTMADE reemplazará o reparará sin costo al comprador original, cualquier motor de ventilador que no funcione de manera satisfactoria a causa de uso normal.

DEVOLVER EL MOTOR SOLAMENTE, los gastos de envío prepagados, a Craftmade. Nosotros repararemos el motor al comprador o le enviaremos uno de reemplazo y Craftmade pagará los gastos de envío de regreso.

GARANTIA LIMITADA DE 6 AÑOS hasta DE POR VIDA: CRAFTMADE reparará el ventilador, sin costo al comprador original por el costo laboral, si el motor del ventilador no funciona satisfactoriamente a causa del uso normal. Las piezas que se utilizan en hacer la reparación serán facturadas al comprador a los precios prevalecientes en el momento de la reparación.

El comprador original será responsable de todos los gastos incurridos en sacar, reinstalar y enviar el producto para reparación.

Esta garantía no se aplica cuando el ventilador tenga daños por abuso mecánico, físico, eléctrico o por agua resultando en su mal funcionamiento. Se exenta específicamente el deterioro en el acabado u otras partes debido al tiempo o exposición al aire marino bajo esta garantía.

Ni Craftmade ni el fabricante se harán responsables por lo que pasa por una instalación inadecuada o el uso impropio de este producto. La compañía no se hará responsable en ningún caso de ningún daño emergente por incumplimiento de esta o cualquier otra garantía expresada o implicada en absoluto. Esta limitación de daños emergentes no se aplicará en estados donde es prohibido.

CRAFTMADE