

## PRODUCT FEATURES

- Inspired by Mid-Century modern art, the Orbel Wall Sconce features an elongated metal rectangle that supports a frosted sphere of light
- 13" tall and 5" wide
- Available in three modern finishes, Aged Brass, Matte Black and Polished Nickel
- Complete the look with other fixtures in the Orbel Family, such as the Flush Mount, Bath Light and Pendants
- Lamping options are compatible with most ELV and TRIAC dimmers
- Protected by a 1-year warranty, please visit the "About Us" Page on [techlighting.com](http://techlighting.com) for more for warranty details



Aged Brass

## LAMPING

Rated for (1) 5 watt max. G9 Bi-Pin lamp (Not Included). LED includes 5 watt, 319.4 total delivered lumens, 3000K, LED G9 Bi-Pin lamp. Dimmable with most LED compatible ELV and TRIAC dimmers. Mounts up or down.



Aged Brass



Polished Nickel



Matte Black

## ORDERING INFORMATION

### 700WSOBL FINISH

- R AGED BRASS
- B MATTE BLACK
- N POLISHED NICKEL

### LAMP

- NO LAMP
- LED930 BI-PIN G9 LED 90 CRI 3000K 120V (T20/T24)

700WSOBL \_\_\_\_\_

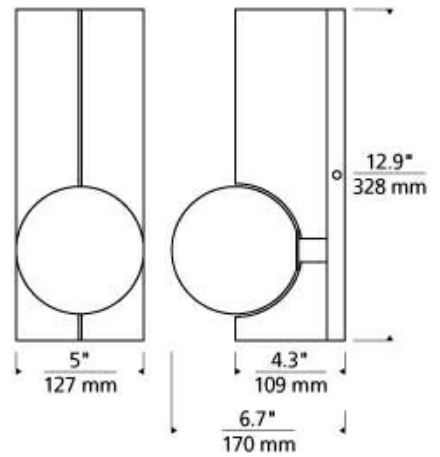
JOB NAME \_\_\_\_\_

NOTES \_\_\_\_\_



## SPECIFICATIONS

HARDWARE MATERIAL	Metal
SHADE MATERIAL	Glass
NET WEIGHT	3.5 lbs
HEIGHT	12.9in
WIDTH	6.7in
LENGTH	5in
MIN. EXTENSION FROM WALL	6.7in
UP LIGHT / DOWN LIGHT / BOTH?	
WET LISTED	
DAMP LISTED	Yes
DRY LISTED	
UP / DOWN	
HORIZONTAL / VERTICAL	
WALL / CEILING MOUNT	
GENERAL LISTING	ETL Listed
ADA COMPLIANT	
INCLUDES	



## LAMPING SPECIFICATIONS

	LED LAMP	INTEGRATED LED	NON LED	NO LAMP
DELIVERED LUMENS	319.4			
WATTS	5			
MAX WATTAGE PER BULB	5W			5W
INPUT VOLTAGE	120V			120V
DIMMING TYPE*	ELV, TRIAC			ELV, TRIAC
CCT	3000K			
CRI	90 CRI			
LED LIFETIME				
L70	25000			
AVERAGE BULB HOURS				
FIELD SERVICEABLE LED				
LAMP BASE	LED Bi-Pin			LED Bi-Pin
LAMP SHAPE	G9			G9
LAMP INCLUDED?	Y			N
WARRANTY**	1 Year			1 Year

\* Dimming information available at [www.techlighting.com/Downloads#dimming](http://www.techlighting.com/Downloads#dimming)

\*\* Visit [techlighting.com](http://techlighting.com) for specific warranty limitations and details.

## T20 / T24 INFORMATION

	Integrated LED	Replacement LED Lamp	No Lamp *
This product can be used to comply with California Building Energy Efficiency Standards 2016 <b>Title 24</b> Part 6.		Yes	N/A
This product can be used to comply with California Appliance Efficiency Standards 2016 <b>Title 20</b> and may be shipped to and sold in California.		Yes	N/A

\* If a light fixture or component does not include a lamp or light source, it is the responsibility of the customer to select a lamp that meets the T24 and T20 requirements.

